

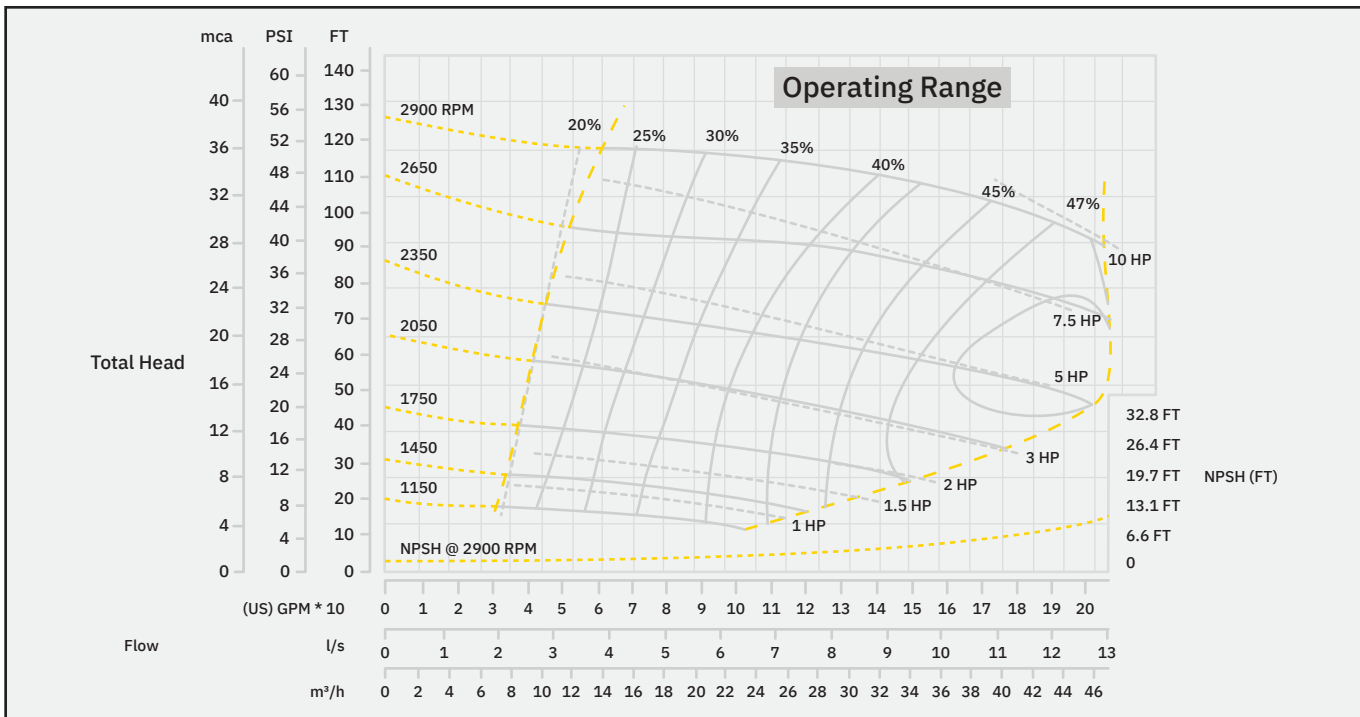


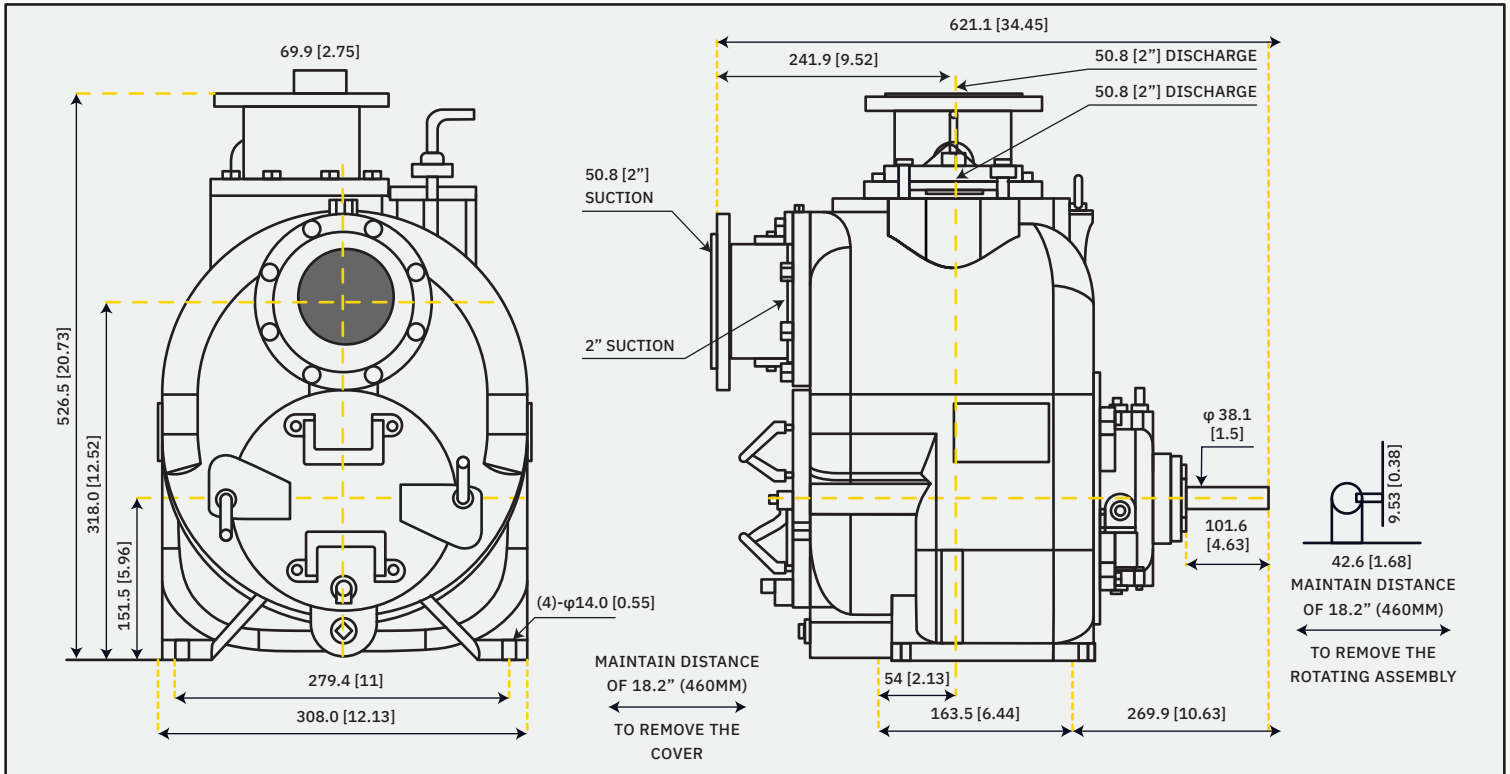
PL-2 Pump Data

| | |
|-------------------|---------------------------|
| Net Weight | 92kg (203lbs) |
| Shipping Weights | 114kg (252lbs) |
| Impeller Diameter | 158.75mm (6 1/4") |
| RPM | From 1150 RPM to 2900 RPM |
| Max Solids | 44.45mm (1 3/4") |

Self-Priming Head

| | | | | |
|----------|-------------|---|----------|-------------|
| 1150 RPM | 7.3m (24ft) | - | 1450 RPM | 7.6m (25ft) |
| 1750 RPM | 7.6m (25ft) | - | 2050 RPM | 7.6m (25ft) |
| 2350 RPM | 6.1m (20ft) | - | 2650 RPM | 7.6m (25ft) |
| 2650 RPM | 6.7m (22ft) | - | 2900 RPM | 7.6m (25ft) |





| Component | STD | CI / 316SS | CI / CD4MCU | CI / ADI | CI / HCI | ADI | 316SS | CD4MCU |
|-----------------|------------|--------------------------------------|-------------|----------|----------|---------------------------------------|-------|--------|
| Casting | | A48CL30 | | | | ADI | 316SS | CD4MCU |
| Impeller | A60-40-18 | 316SS | CD4MCU | ADI | HCI | ADI | 316SS | CD4MCU |
| Wear Plate | A48CL30 | 316SS | CD4MCU | ADI | HCI | ADI | 316SS | CD4MCU |
| Cover Plate | | A48CL30 | | | | ADI | 316SS | CD4MCU |
| Bearing Housing | | A48CL30 | | | | ADI | 316SS | CD4MCU |
| Seal Plate | A48CL30 | 316SS | CD4MCU | ADI | HCI | ADI | 316SS | CD4MCU |
| Flap Valve | | Neoprene | | | | Viton | | |
| Impeller Shaft | ANSI414OHT | | | | | ANSI17-4PH | | |
| Seal Sleeve | ANSI414OHT | | | | | ANSI17-4PH | | |
| Flanges | | A48CL30 | | | | ADI | 316SS | CD4MCU |
| O Rings | | Buna | | | | Viton | | |
| Mechanical Seal | | 316SS, Buna, Tungst/Titanium Carbide | | | | 316SS, Viton, Tungst/Titanium Carbide | | |

Materials of Construction